

DF100-125-160

Duct fans



Functions & Benefits

- High capacity
- High pressure
- Low noise level
- Easy to install

Compact duct fan with zinc-plated steel housing and built-in approved automatic circuit breaker. Supplied complete with suspension bracket and two mounting clips for connecting to duct system.



General

DF has backward curved blades, maintenance-free bearings and a built-in thermal switch. Not suitable for transporting grinding dust, explosive or aggressive gases, soot, etc.

The high capacity means that DF can cope with high pressure and long ducts while still maintaining a low noise level. The speed can be adjusted by changing the voltage/frequency. It is possible to control several fans via the same control mechanism if the fans' total rated current is less than that of the control mechanism.

DF is protected against moisture and approved for use in wet rooms.

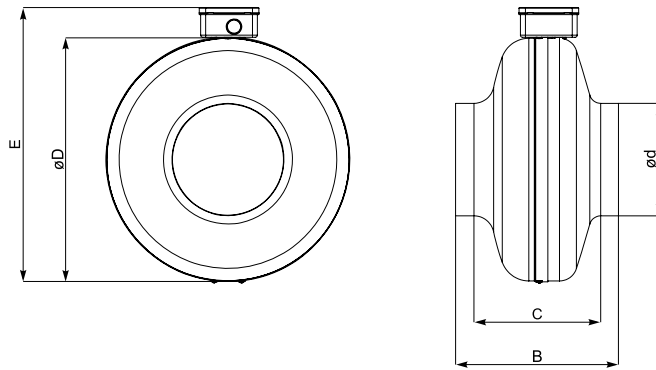
Models

Designation	Description	Art. no.
DF100	Circular duct fan Ø100 connection incl suspension bracket and two mounting clips	433000
DF125	Circular duct fan Ø125 connection incl suspension bracket and two mounting clips	433012
DF160	Circular duct fan Ø160 connection incl suspension bracket and two mounting clips	433016
Back draught shutter Ø100 mm	Back draught shutter for DF100	430025
Back draught shutter Ø125 mm	Back draught shutter for DF125	430027
Back draught shutter Ø160 mm	Back draught shutter for DF160	430029
Speed control 30-100%	External speed control, fits all 0.5 A IP55	195318
Humidity control 40-80% RH	External humidity control max. 145 W IP40	195326
Thermostat 5-35°C	External thermostat max. 145 W IP30	195328

Article number indicates retail products.

Dimensions (mm)

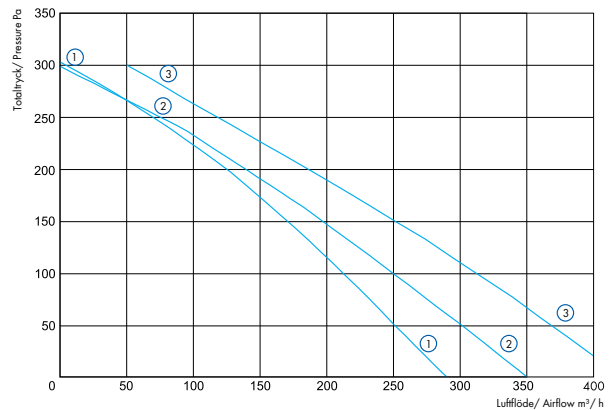
DF	100	125	160
Ød	100	125	160
ØD	245	245	245
C	167	175	153
B	206	206	202
E	287	286	287



Technical data

Duct fan DF	100	125	160
Voltage V/Hz	230/50	230/50	230/50
Rated output W	63	67	65
Current A	0.27	0.29	0.28
Speed rpm	2478	2514	2409
Max. flow l/s	64	97	115
Max. temp °C	70	70	70
Total sound pressure level at 1 m dB(A)	63	62	61
Weight kg	3.0	3.0	3.0
Automatic circuit breaker	IP44	IP44	IP44

Capacity



DF100	LpA dB(A)	LwA total dB(A)	LwA dB(A)								
			63 Hz	125 Hz	250 Hz	500 Hz	1 kHz	2 kHz	4 kHz	8 kHz	16 kHz
To duct	63	70	37	53	60	60	67	65	57	48	35
To environment	43	50	17	33	26	43	55	54	47	36	18

At 72 l/s, 45 Pa

DF125	LpA dB(A)	LwA total dB(A)	LwA dB(A)								
			63 Hz	125 Hz	250 Hz	500 Hz	1 kHz	2 kHz	4 kHz	8 kHz	16 kHz
To duct	62	69	38	49	53	61	65	63	55	46	33
To environment	45	52	18	27	28	44	53	51	43	32	16

At 96 l/s, 0 Pa

DF160	LpA dB(A)	LwA total dB(A)	LwA dB(A)								
			63 Hz	125 Hz	250 Hz	500 Hz	1 kHz	2 kHz	4 kHz	8 kHz	16 kHz
To duct	61	68	36	47	50	56	64	63	62	49	39
To environment	45	52	16	25	20	39	52	51	50	34	22

At 115 l/s, 0 Pa

Accessories



Back draught shutter



Sound reduced ducting



Speed control 30-100%



Humidity control 40-80% RH



Thermostat 5-35°C